

INSTALLATION

INSTRUCTION



MODEL: 8130
Size: 800×800×1940mm
MODEL: 8120
Size: 900×900×1940mm
MODEL: 8163
Size: 1000×1000×1940mm



MODEL: 8146
Size: 900×900×1940mm



MODEL: 8166
Size: 1000×800×2030mm
MODEL: 8133
Size: 1200×800×2030mm

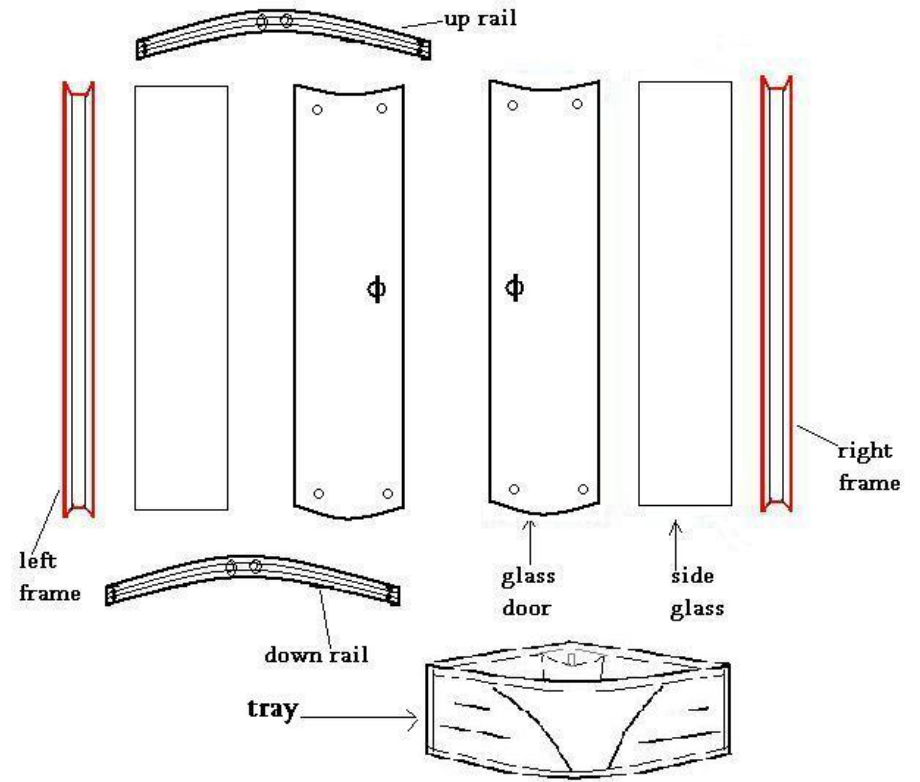


MODEL: 8167
Size: 800×800×2030mm
MODEL: 8134
Size: 1200×800×2030mm

Dear customer

Thank you for your recent purchase of our shower room. To insure safety please carefully read these instructions before installing the shower.

Mainly disassemble parts

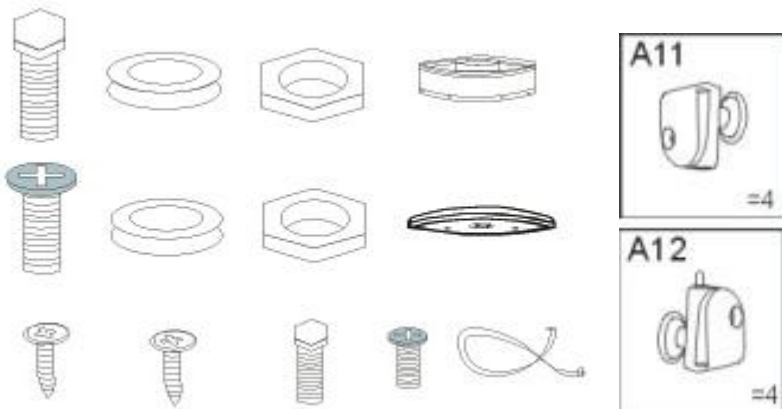


Tools



Inspection:

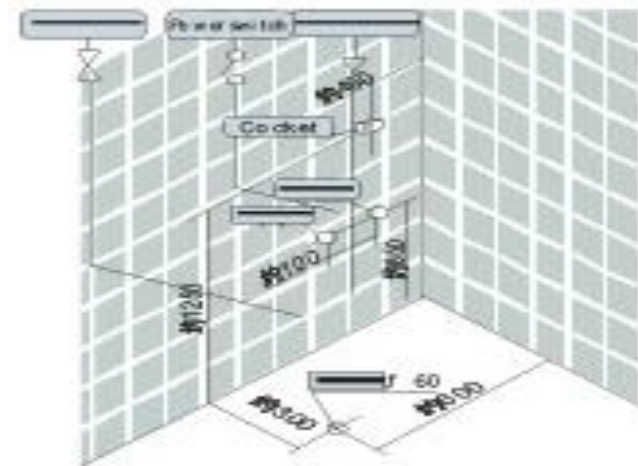
Please read the manual list and check the quantity of the spare parts, if any. If you have any questions, please contact with the local supplier.



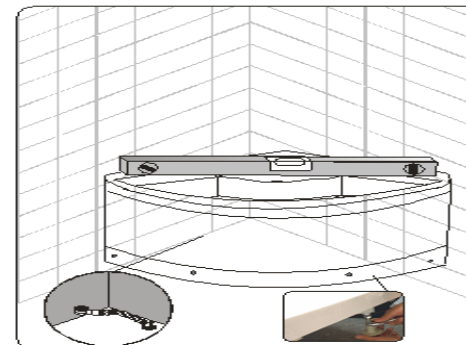
In your contents you will find a polyphone zip bag which

should contain above fittings

Preparation



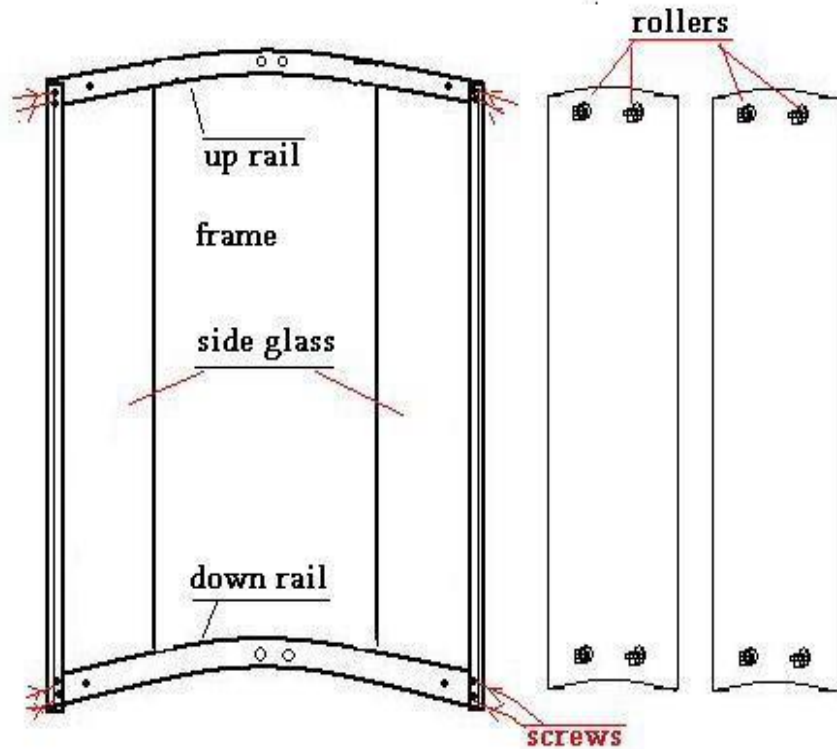
Installation step



Step 1

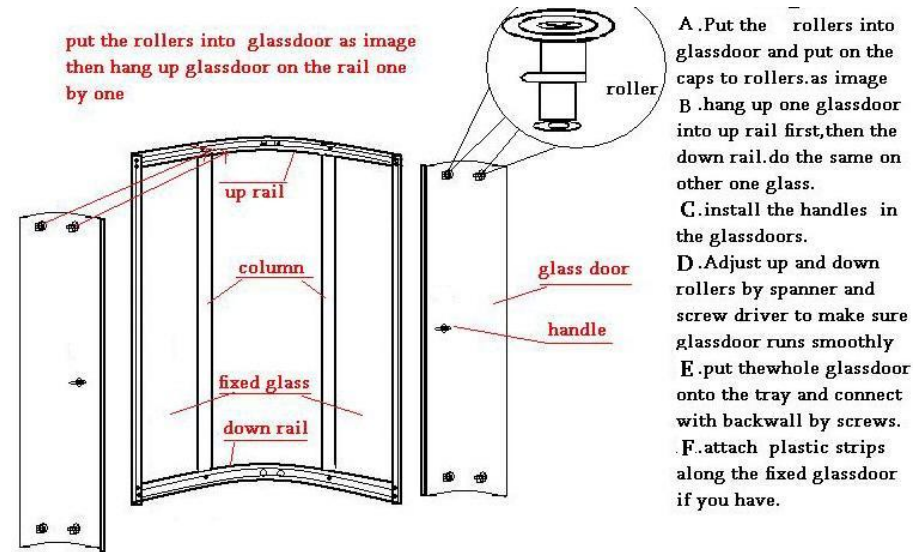
1. Place your shower base into the corner of the room.(if you are install a shower bath do the same but against the wall)
2. Adjust the feet so that the base line up to a level setting.
3. Locate the shower waste pipe to the hole in the shower.

Step-2

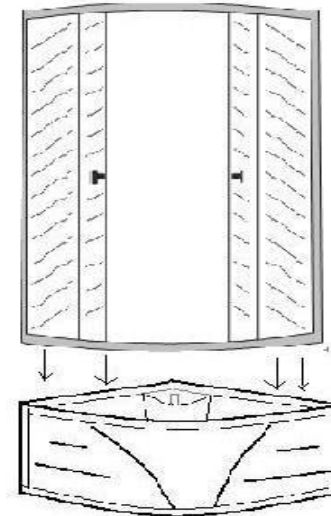


After attach the side glass to the frame Please attach the up and down rails to the frame by screws.

Step-3.



- A. Put the rollers into glassdoor and put on the caps to rollers.as image
- B. hang up one glassdoor into up rail first,then the down rail.do the same on other one glass.
- C. install the handles in the glassdoors.
- D. Adjust up and down rollers by spanner and screw driver to make sure glassdoor runs smoothly
- E. put thewhole glassdoor onto the tray and connect with backwall by screws.
- F. attach plastic strips along the fixed glassdoor if you have.



After put the whole glass door on the tray, then fixed the frame on the wall by screws.if necessary please daub some lube on along the rollers to make the glass door run smoothly

Step 4.