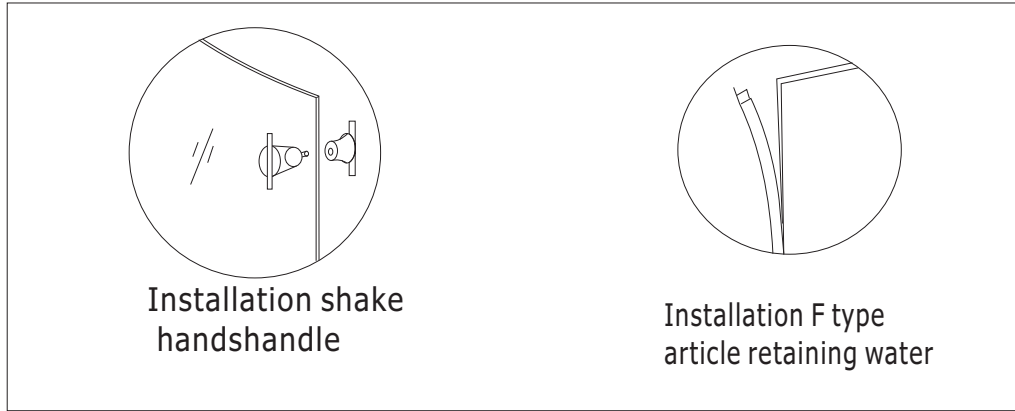
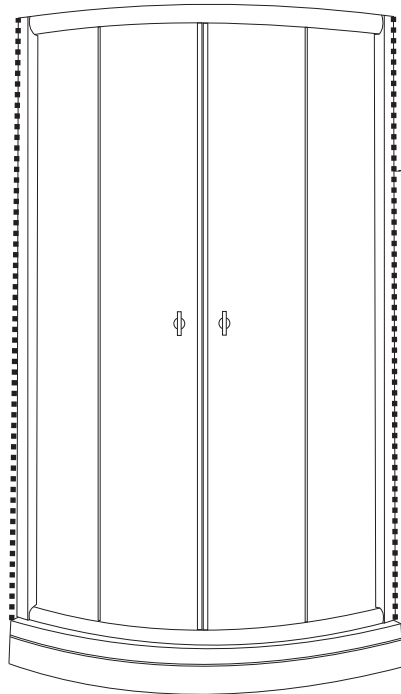
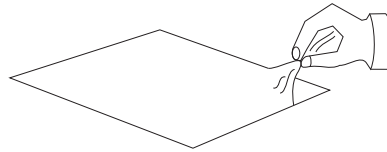


## Step6



## Step7

Remove the protective layer on the ABS tray the roof That will make it look nice



Peripheral with glass glue, pan edge, iron and aluminum edge metope even besmear on glass glue, 24 hours after can be used

# Installation using the instruction manual



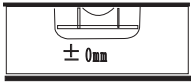
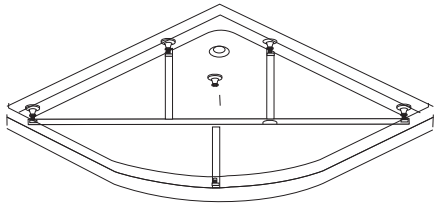
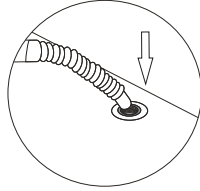
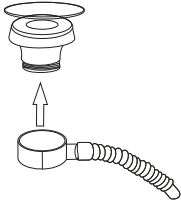
SIZE:80\*80\*197CM  
SIZE:90\*90\*197CM  
SIZE:100\*100\*17CM

# Step1

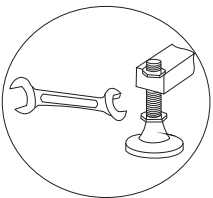
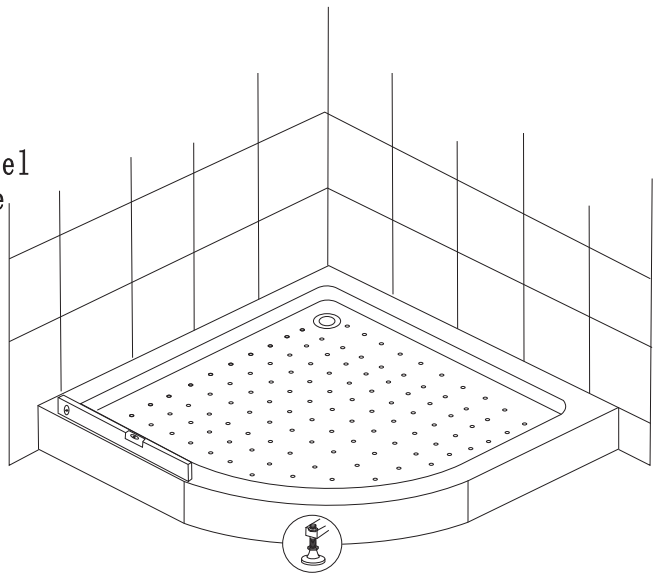
This shower room is designed to position at a corner. The floor drain needs to be in a feasible position.

Connect drainpipe with drain bend on the tray and insert the other end into the drain hole in the ground.

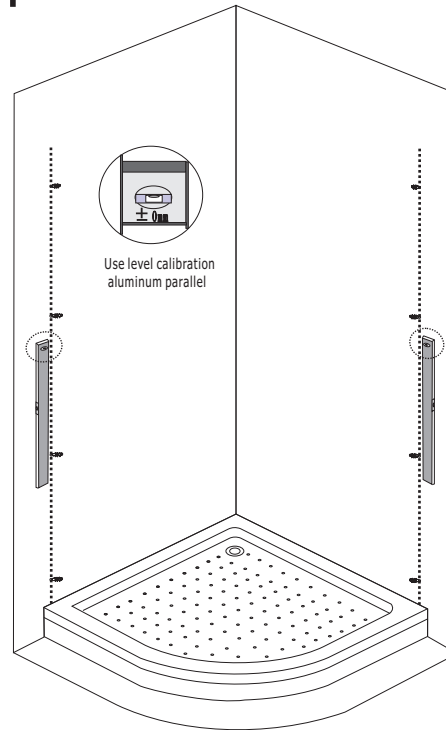
Move bathtub to a suitable place and level the tray with a leveling pole. If it is not level, you just adjust the screws to level it and fasten the lock nuts.



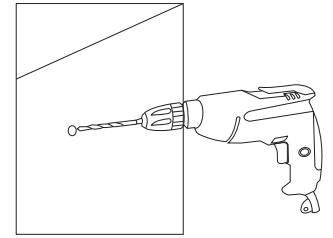
Tray **MUST** be level along front edge.



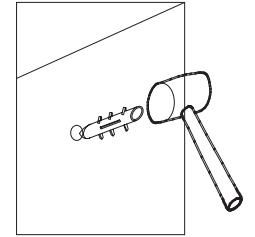
# Step2



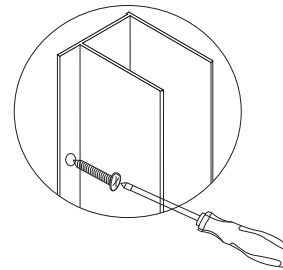
Use level calibration aluminum parallel



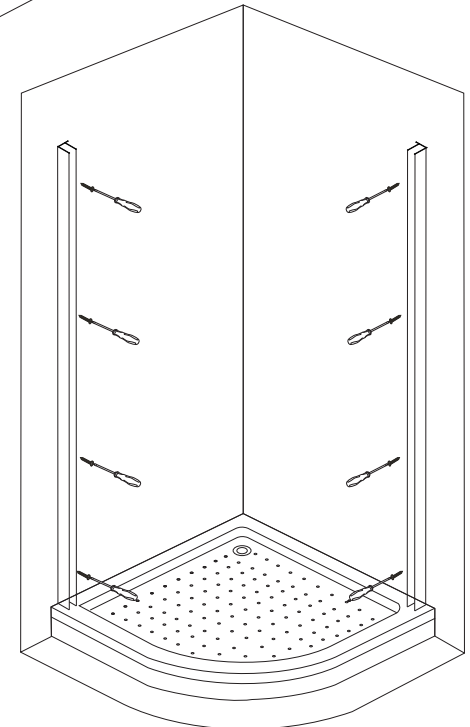
Glass drill hole



6 mm inflation

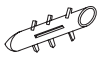




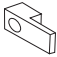


With 4 \* 35 screws metope aluminium

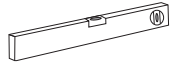

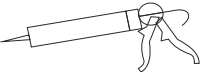

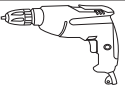



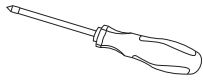
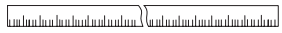


# Small parts

Screw

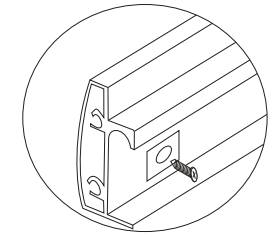
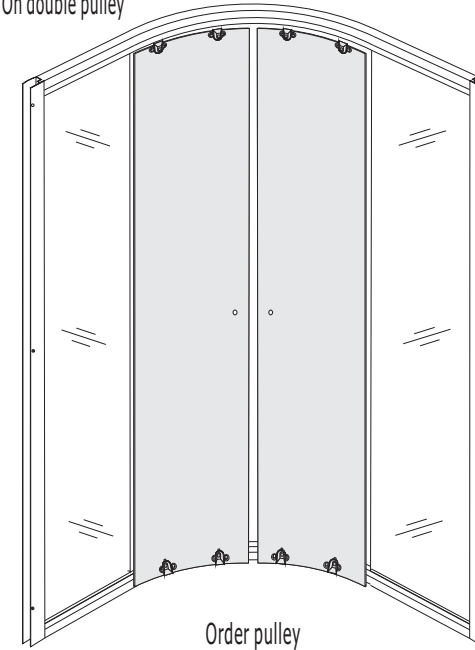
Serial No	Name	Rendering	Qty
K	Inflation	 4MM M	8
L	Screw	 ⊕ 4 * 35	8
M	Unilateral pimp		2
N	Screw	 ⊕ 4 * 25	8
O	locating [set] piece	 Screw4*10	8
P	glass clamp	 Screw4*10	4

# Installation tools

Name	Rendering	Name	Rendering
Track Level Bar		Pencil	
glass cement spear		Rawhide Hammer	
Electric Drill		Glass driller	
Scissors		Tape	
Screwdriver		Ruler	

# Step4

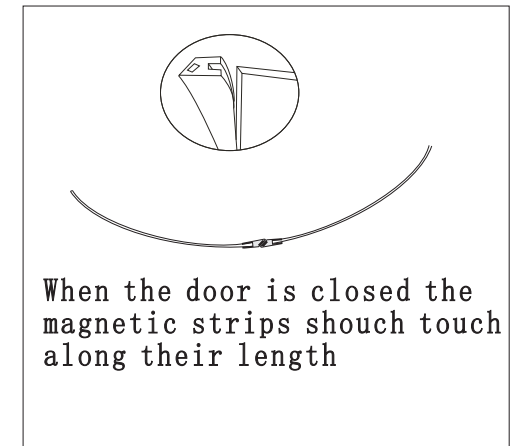
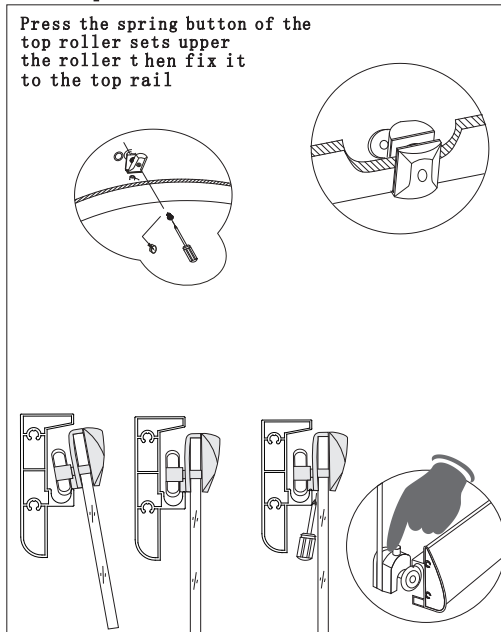
On double pulley



4 \* 10 screws pulley block

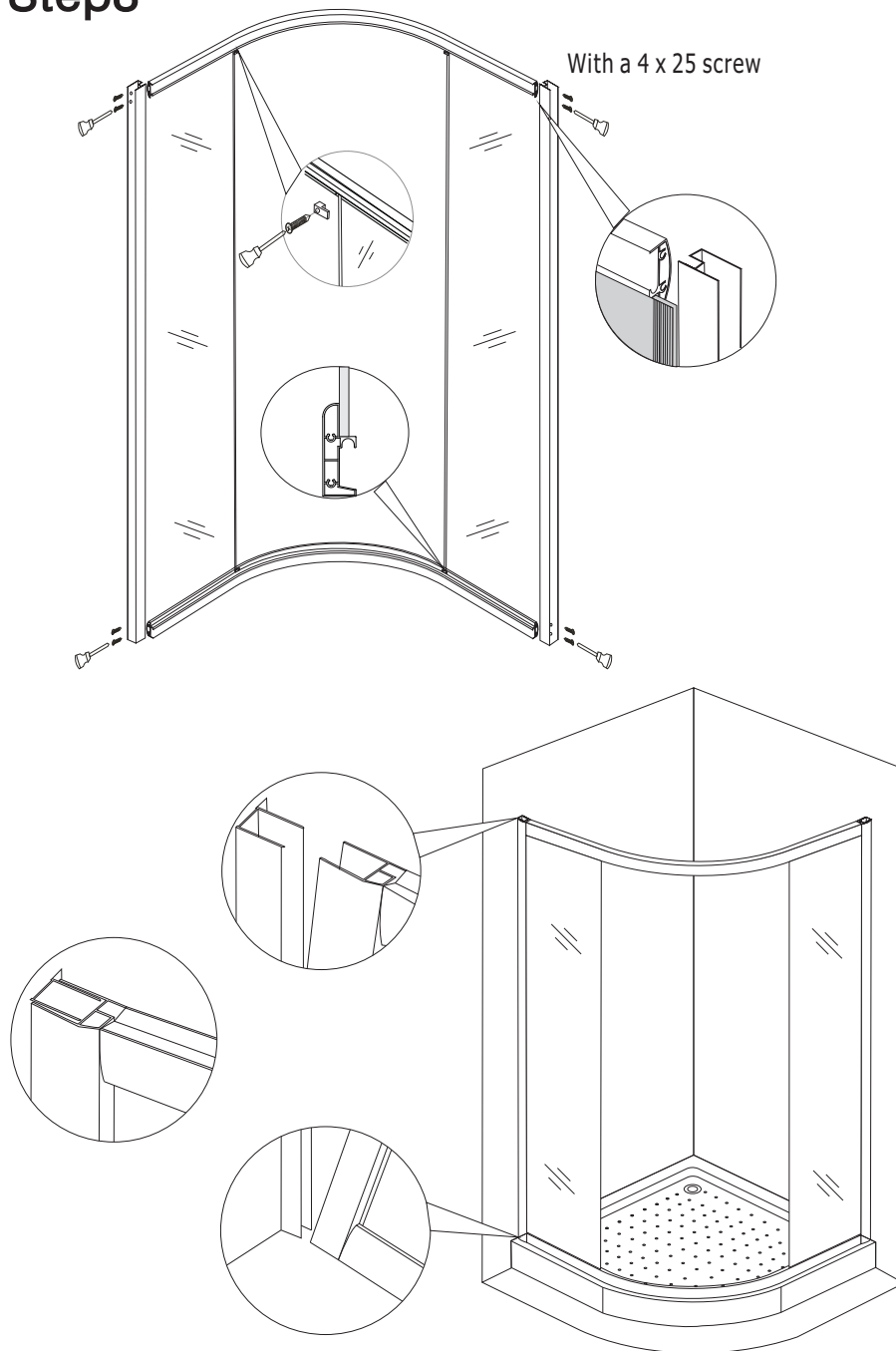
# Step5

Press the spring button of the top roller sets upper the roller then fix it to the top rail



When the door is closed the magnetic strips should touch along their length

## Step3



## Spare parts

Serial No	Name	Rendering	Qty
A	Wall aluminum		2
B	Fluctuation track		2
C	Shower tray		1
D	Glass room		4
E	Fluctuation pulley		8
F	Catch		2
G	Side seal		4
H	Door article absorb		2
I	drainage		1