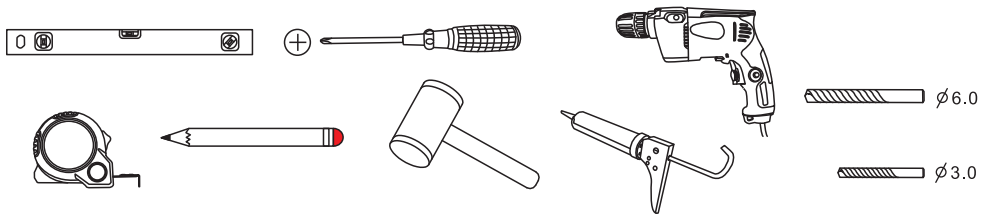
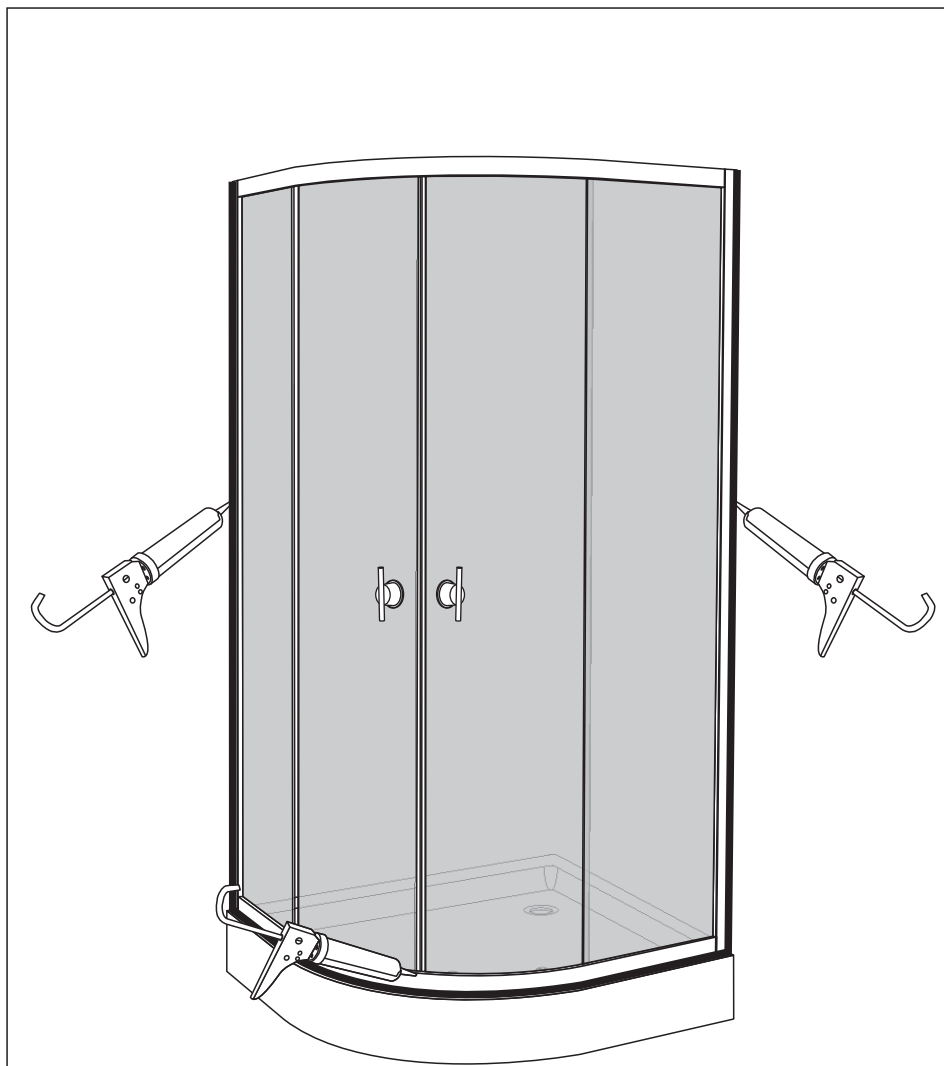


800X800X1950
900X900X1950

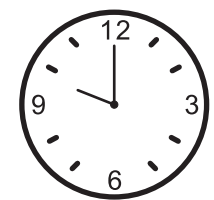


A		X2
B		X2
C		X2
D		X2
E		X1
F		X4
G		X2

H		X4
I		X4
J		X1
K		X2
L	 ST4X30	X16
M		X8
N	 ST4X10	X4

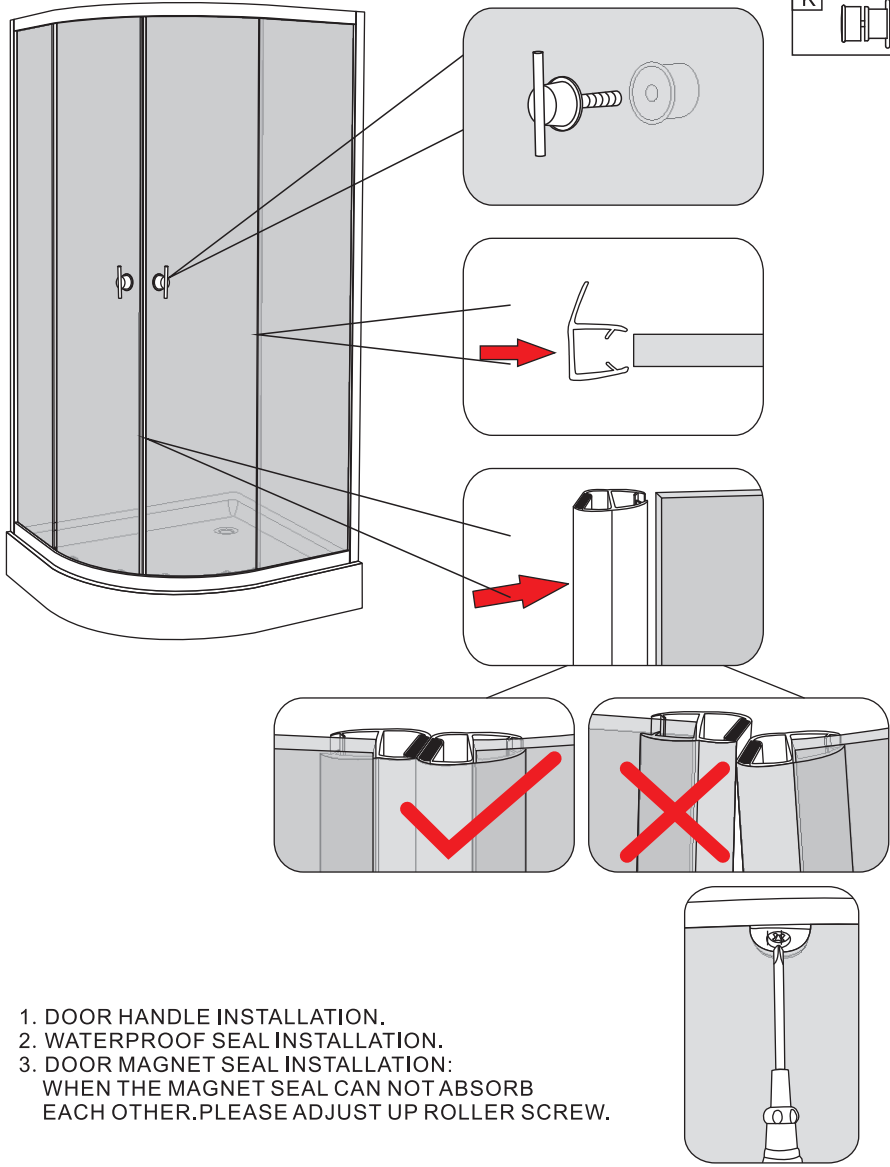
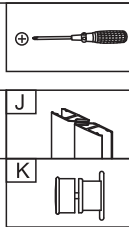


1. PUT SILICON AROUND THE ALUMINUM FRAME AFTER INSTALLATION. TO PREVENT WATER LEAK TO OUTSIDE FROM SHOWER ROOM.



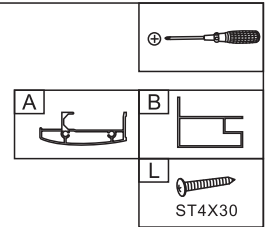
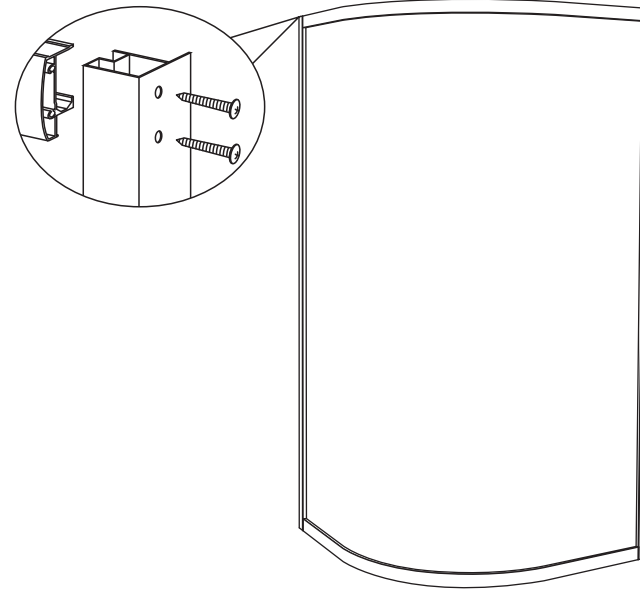
IT is prohibited to use within 24 hours

1. Drainer Installation: SPRAY 'SILICON' ON THE DRAINER OF THE TRAY, AND TIGHTEN THE SCREW.
2. TRAY BALANCE ADJUSTMENT: USE THE TOOL OF 'SPOROT LEVEL' TO MEASURE BALANCE OF THE TRAY, AND ADJUST ITS BALANCE WITH MOVABLE LEGS.

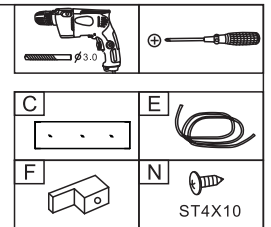
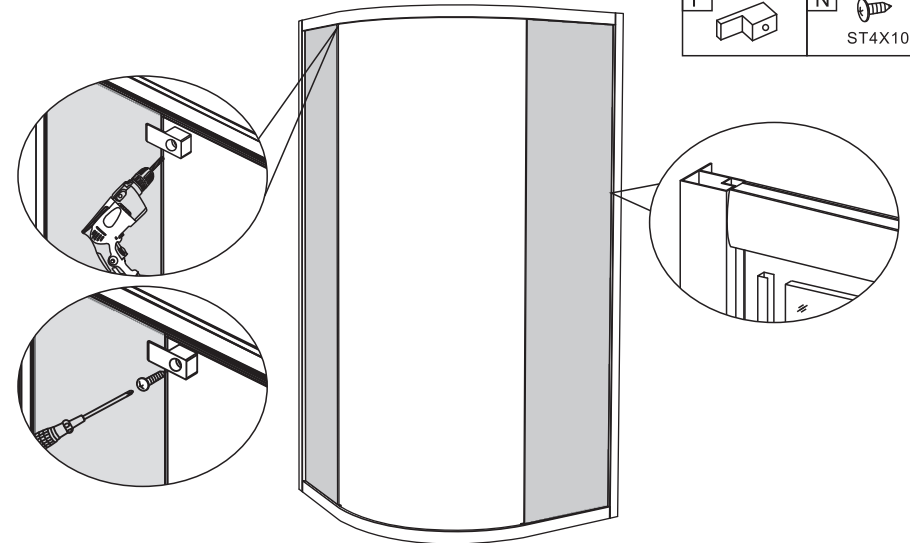


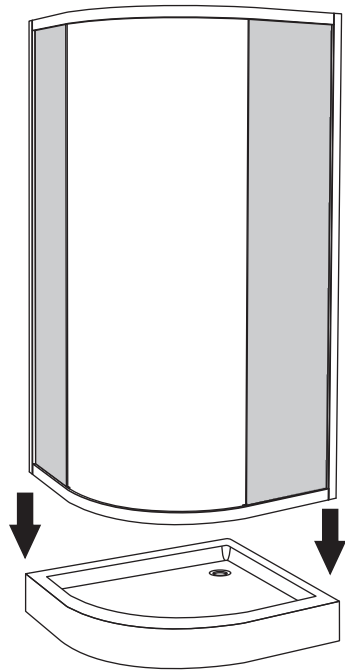
1. DOOR HANDLE INSTALLATION.
2. WATERPROOF SEAL INSTALLATION.
3. DOOR MAGNET SEAL INSTALLATION:
WHEN THE MAGNET SEAL CAN NOT ABSORB
EACH OTHER.PLEASE ADJUST UP ROLLER SCREW.

1. USE SCREW(ST 4X30)TO CONNECT
ALUMINUM ALLOY FRAME AND ARCH FRAME.

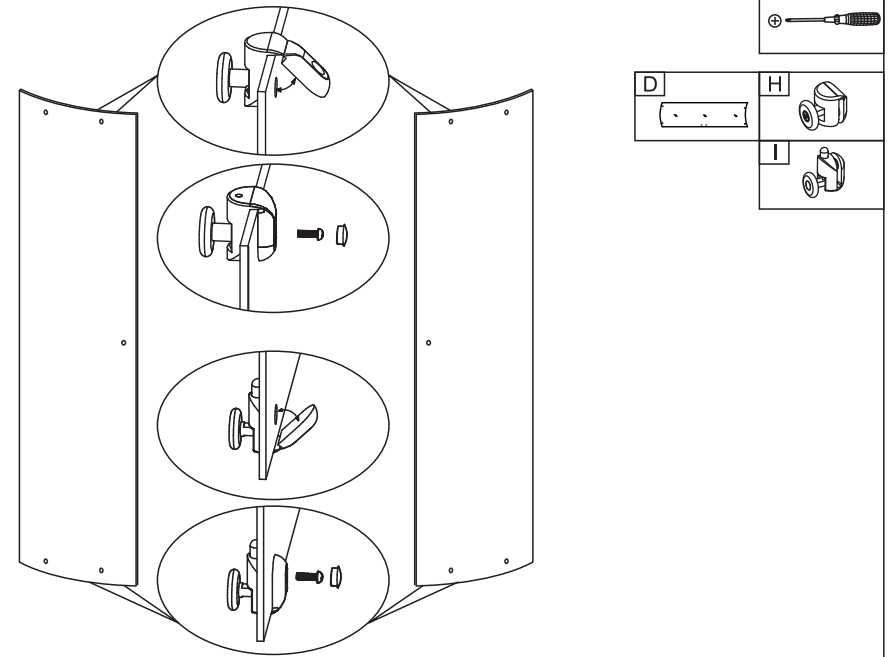


1. RUBBER SEAL COVER THE EDGE OF GLASS,
AND INSERT THE GLASS INTO THE GROOVE
OF ALUMINUM FRAME.
2. FIXED THE PRESS BLOCK OF DOOR GLASS:
FIRST,TO FIND THE LOCATION OF THE PRESS BLOCK
ON THE ARCH FRAME,AND THEN DRILL THE HOLE ONIT.

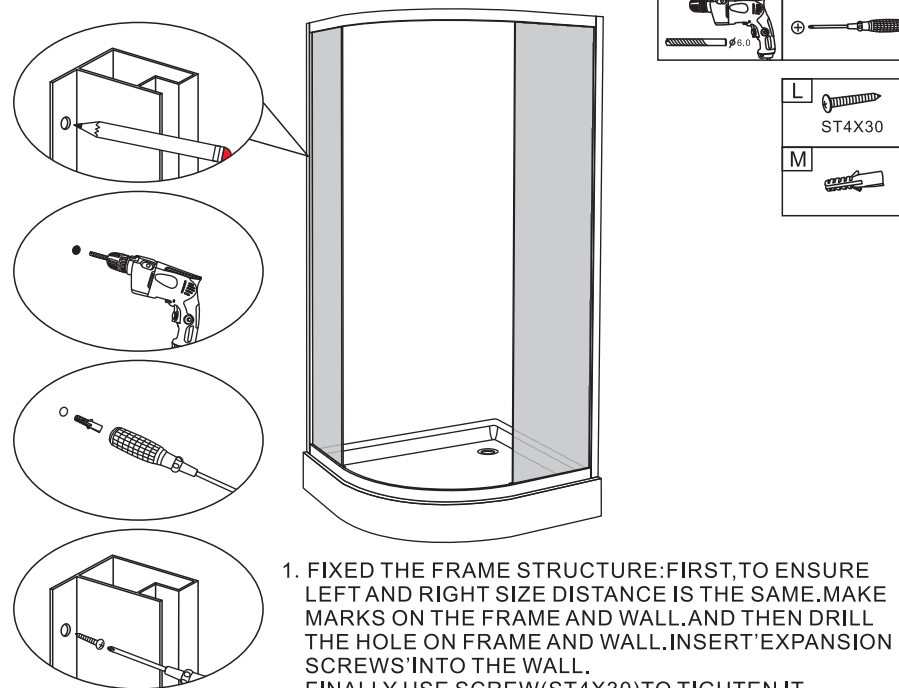




1. PUT THE INSTALLED GLASS SHOWER SCREEN ONTO THE TRAY.



1. INSTALL UP ROLLER AND DOWN ROLLER TO THE DOOR GLASS.



1. FIXED THE FRAME STRUCTURE: FIRST, TO ENSURE LEFT AND RIGHT SIZE DISTANCE IS THE SAME. MAKE MARKS ON THE FRAME AND WALL. AND THEN DRILL THE HOLE ON FRAME AND WALL. INSERT 'EXPANSION SCREWS' INTO THE WALL. FINALLY, USE SCREW (ST4X30) TO TIGHTEN IT.

1. INSERT UP ROLLER INTO THE UP ARCH FRAME, AND THEN PRESS DOWN ROLLER ADJUST BUTTON, TO PUT DOWN ROLLER INTO THE GROOVE OF DOWN ARCH FRAME.

