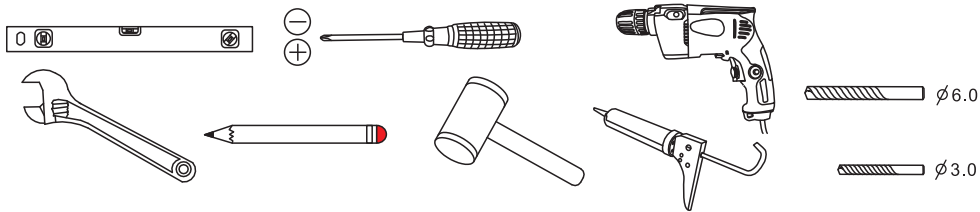
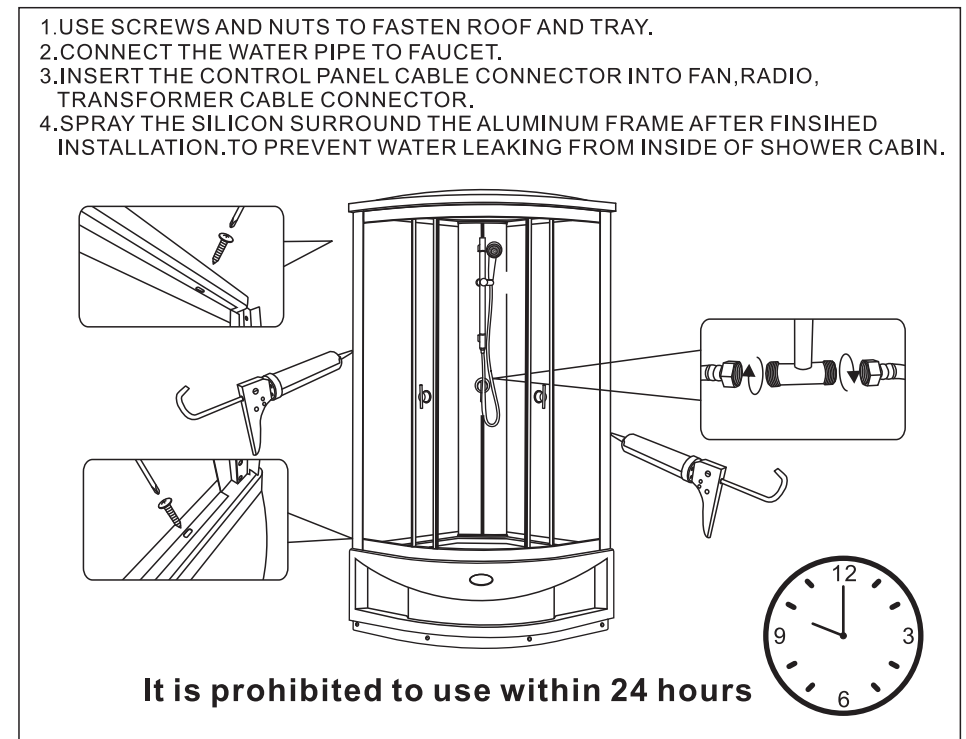
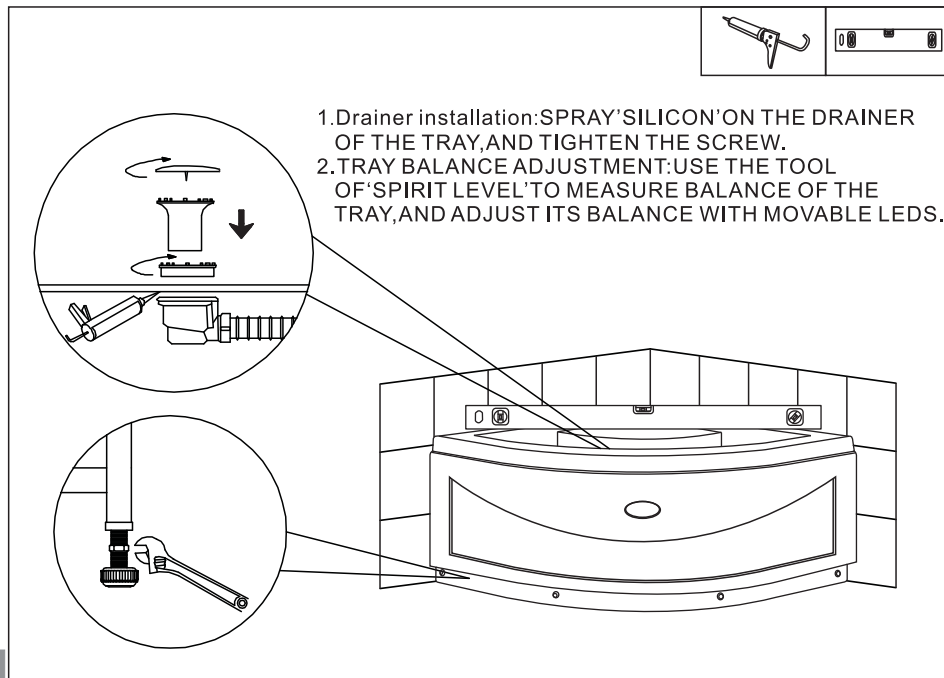
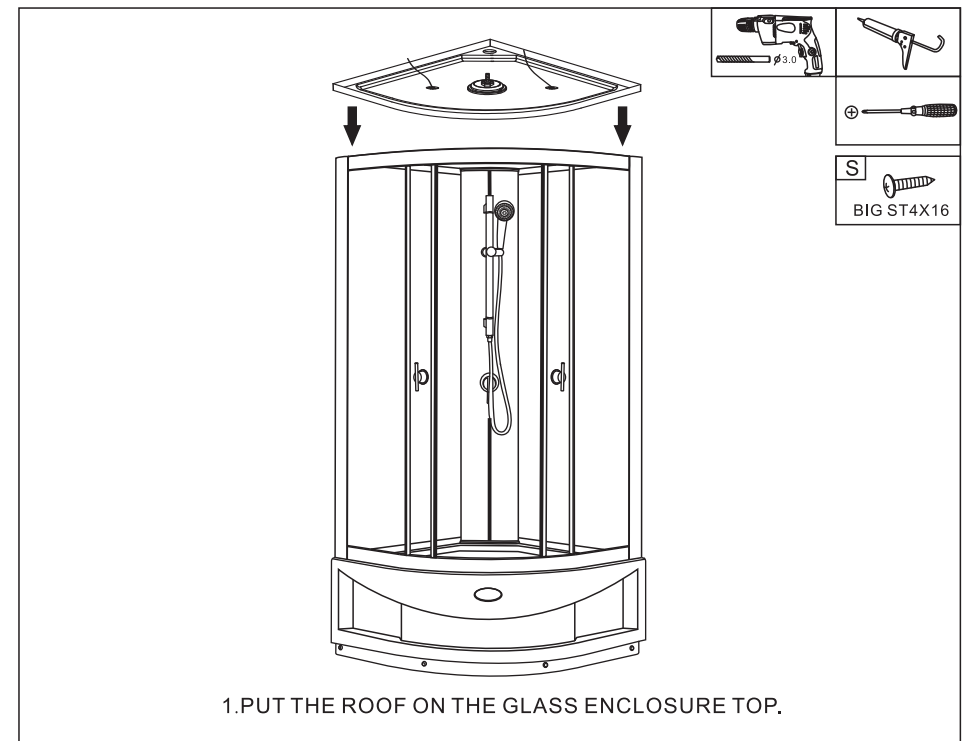
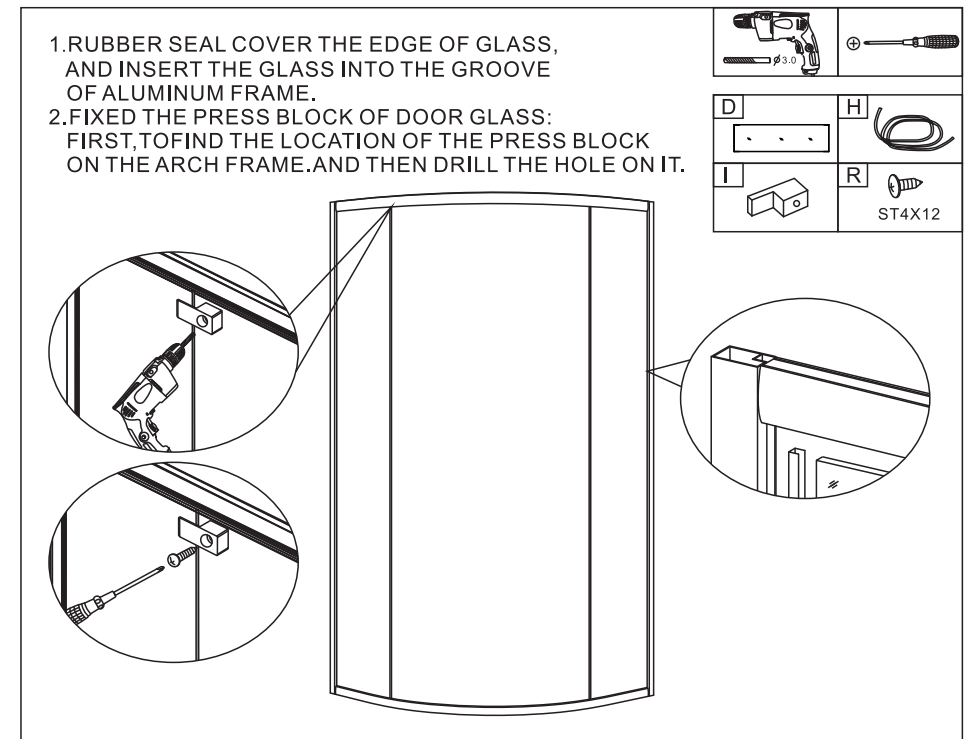
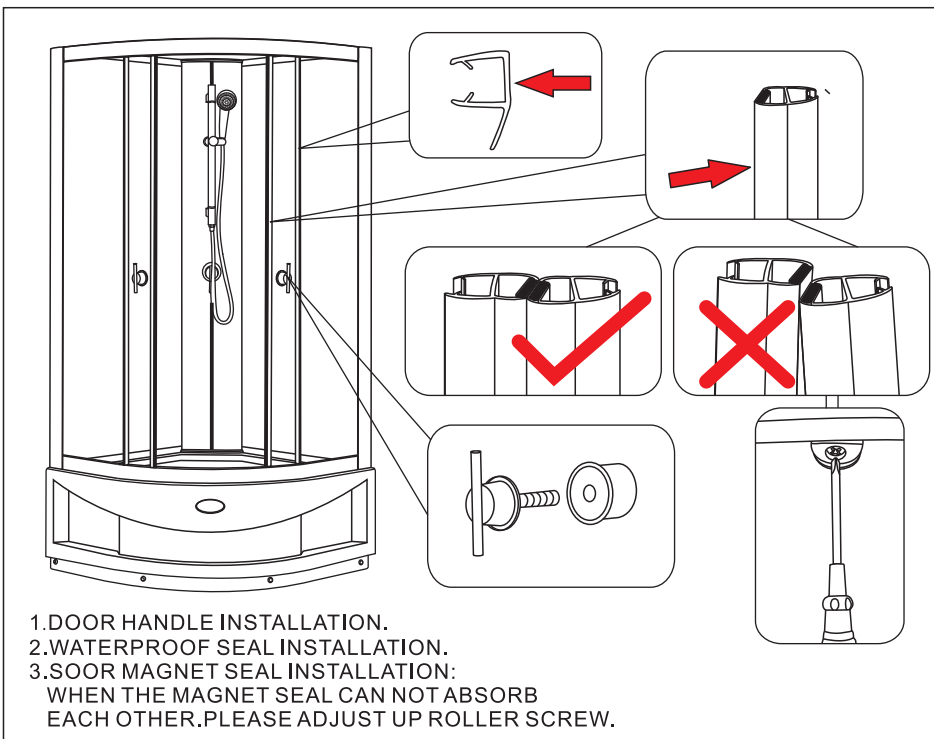
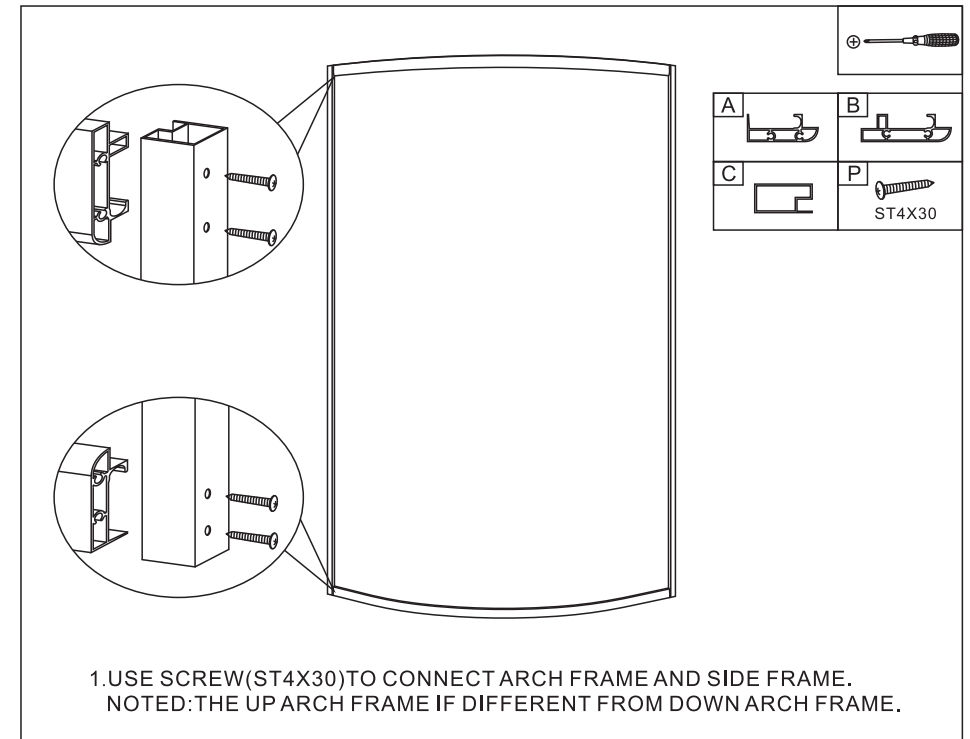
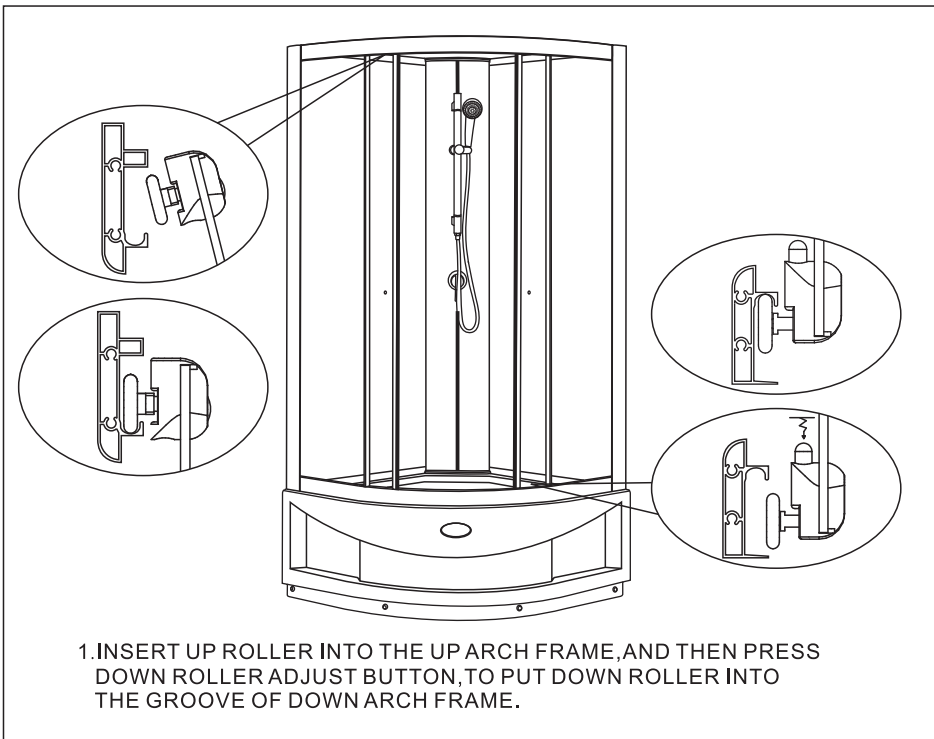


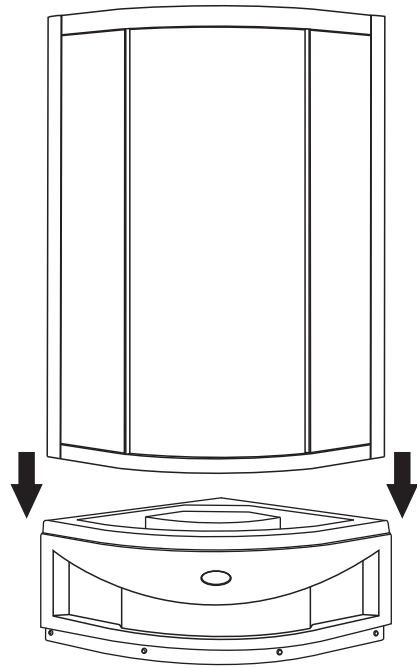
900X900X2100



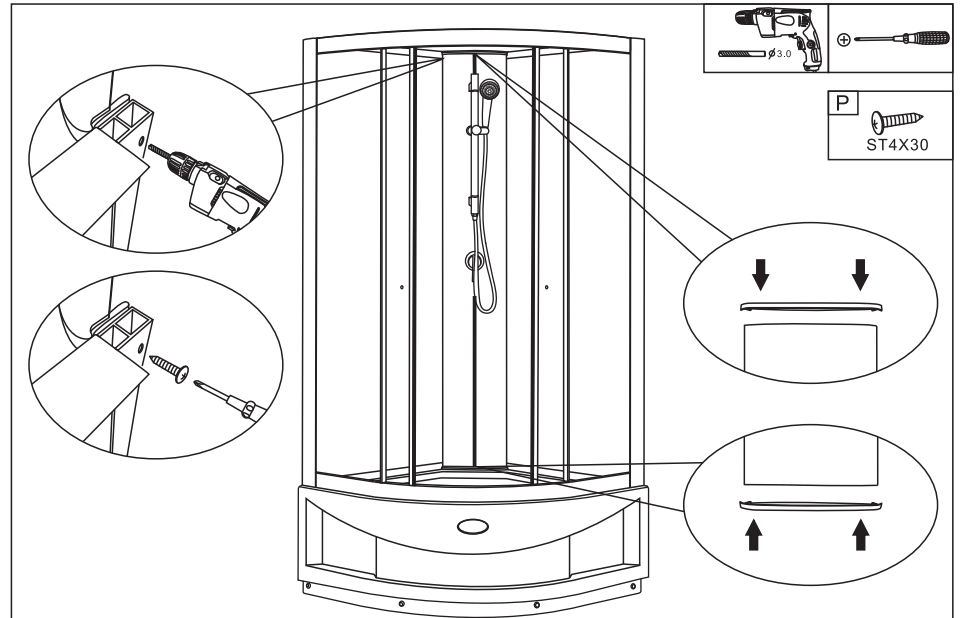
A		X1	H		X1	O		X1
B		X1	I		X4	P		X16
C		X2	J		X2	Q		X8
D		X2	K		X4	R		X4
E		X2	L		X4	S		X12
F		X1	M		X1			
G		X1	N		X2			



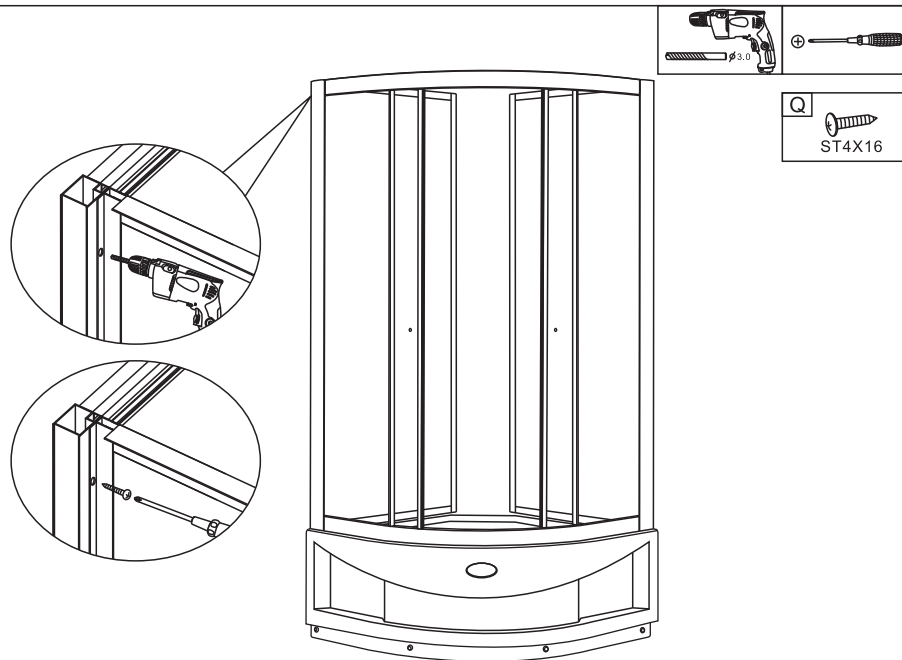




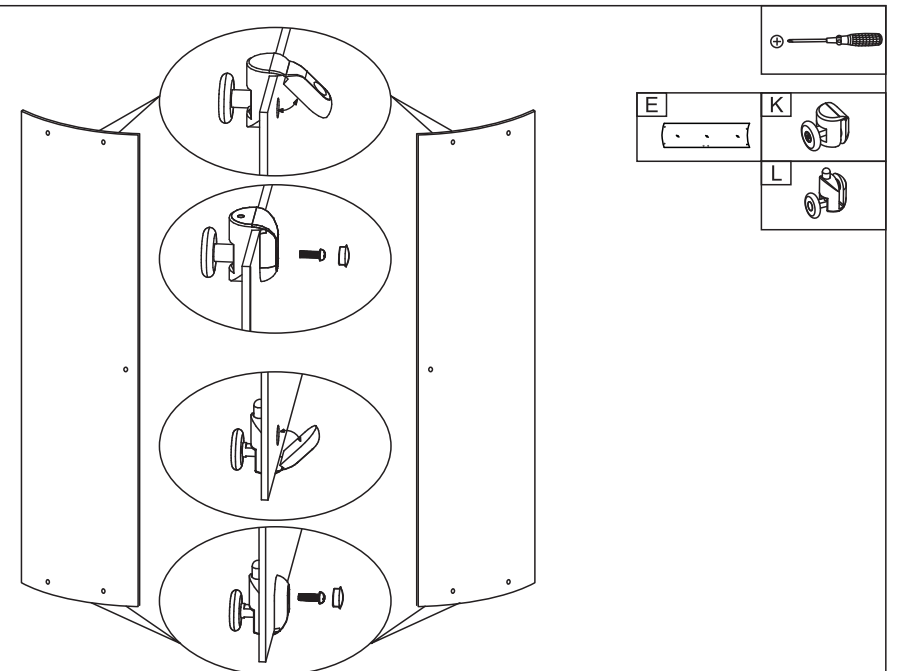
1. PUT THE INSTALLED GLASS SHOWER ONTO THE TRAY.



1. INSERT PLASTIC DECORATE STRIP INTO BACK PANEL BOTH ENDS.
 2. CONNECT BACK PANEL WITH BACK WALL, FIRST DRILL HOLES ON BOTH ALUMINUM FRAME, AND THEN FASTEN THEM WITH SCREW (4X30).



1. CONNECT THE FINISHED BACK WALL WITH FRONT GLASS STRUCTURE.



1. INSTALL UP ROLLER AND DOWN ROLLER TO THE DOOR GLASS.