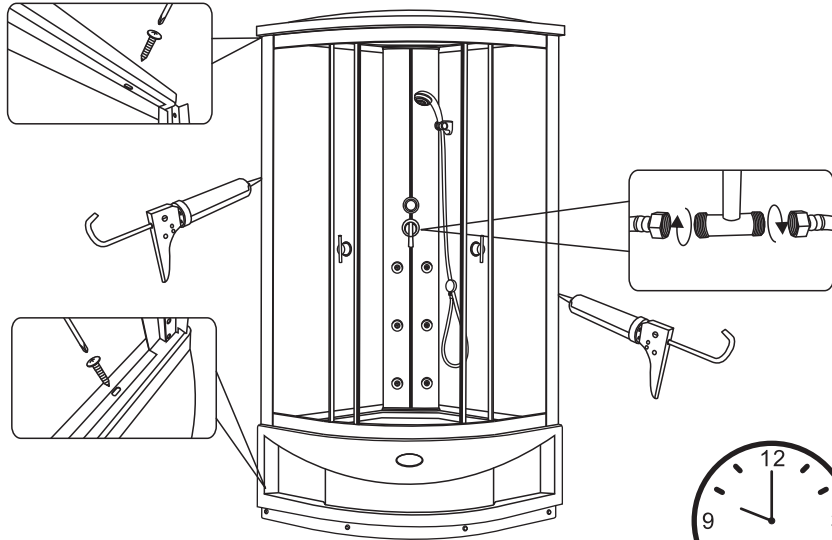
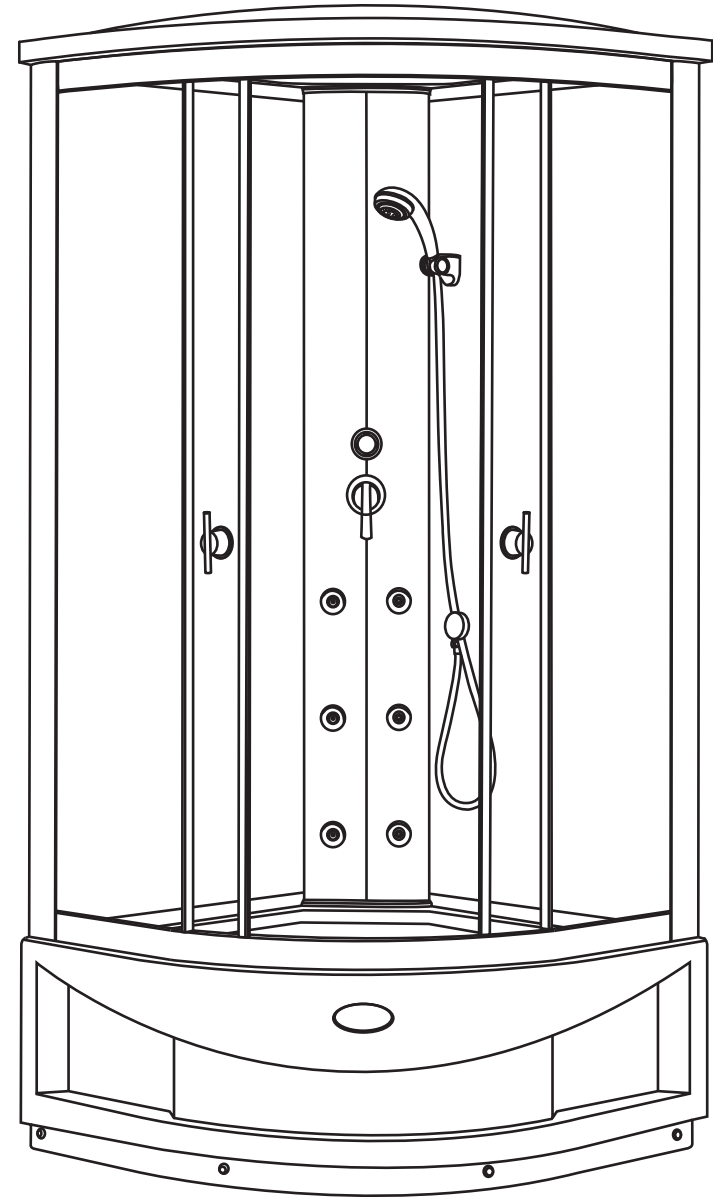


S
BIG ST4X16

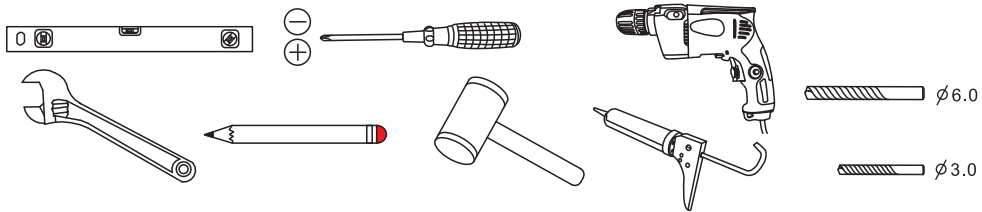
1. USE SCREWS AND NUTS TO FASTEN ROOF AND TRAY.
2. CONNECT THE WATER PIPE TO FAUCET.
3. INSERT THE CONTROL PANEL CABLE CONNECTOR INTO FAN, RADIO, TRANSFORMER CABLE CONNECTOR.
4. SPRAY THE SILICON SURROUND THE ALUMINUM FRAME AFTER FINISHED INSTALLATION. TO PREVENT WATER LEAKING FROM INSIDE OF SHOWER CABIN.



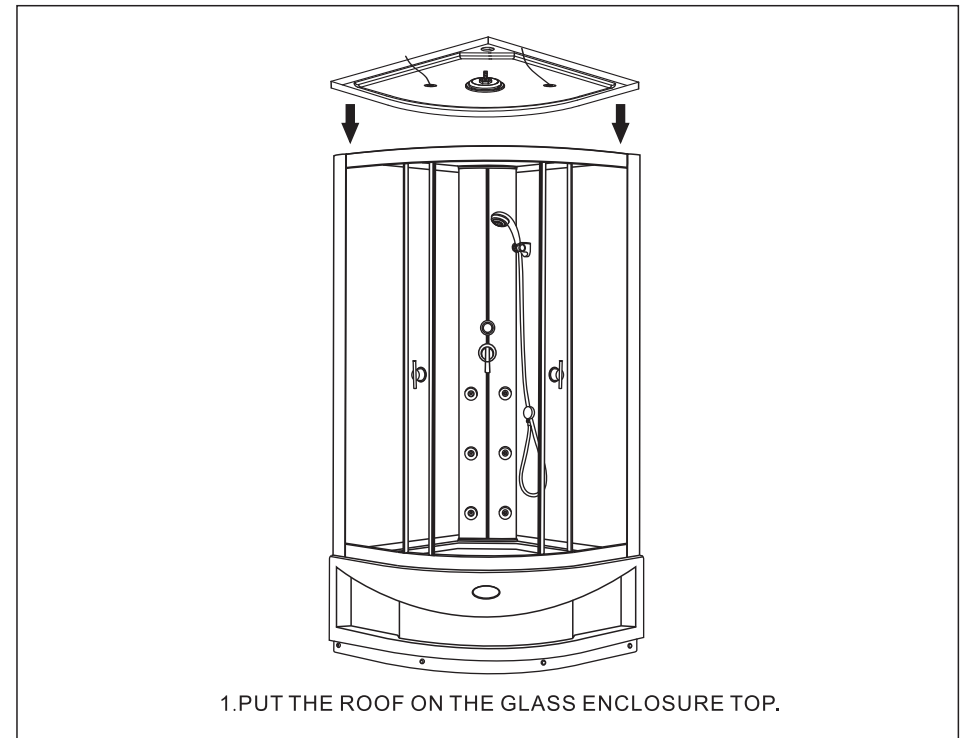
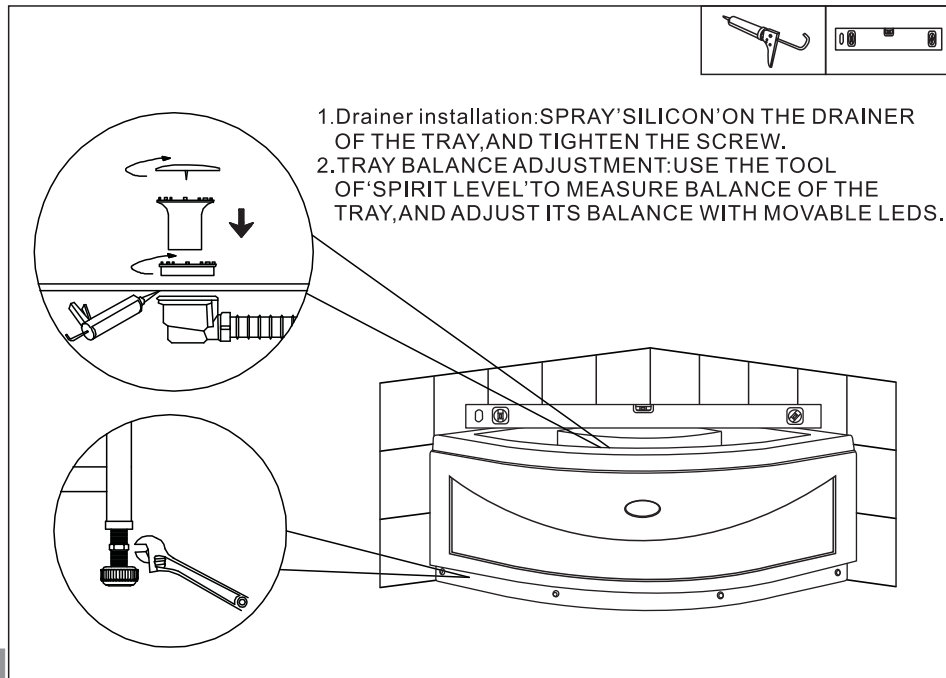
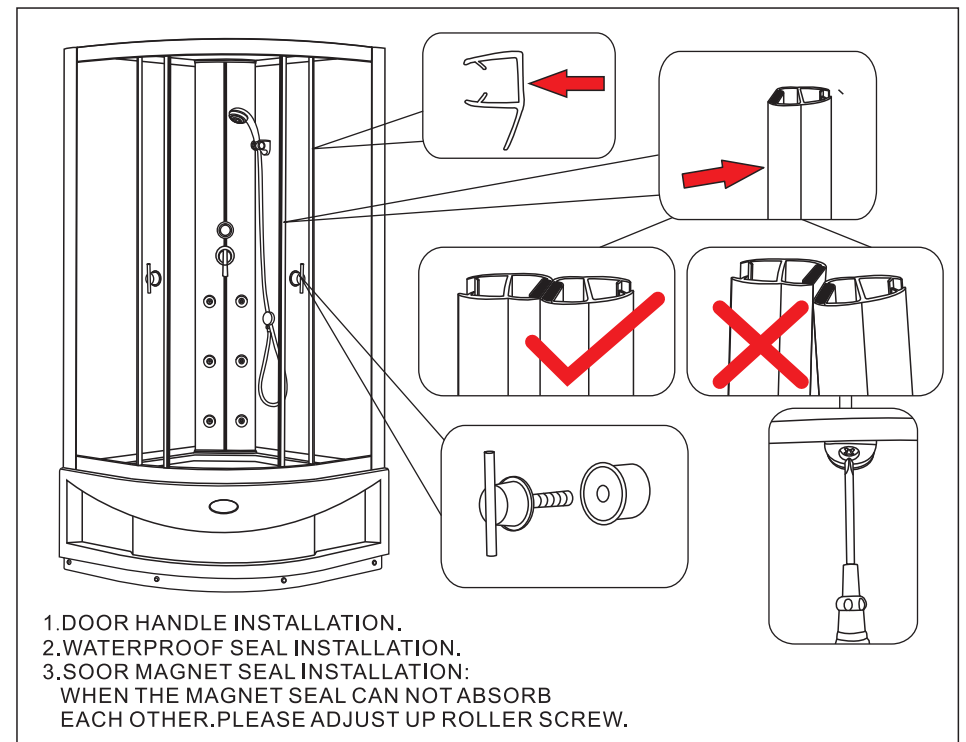
It is prohibited to use within 24 hours

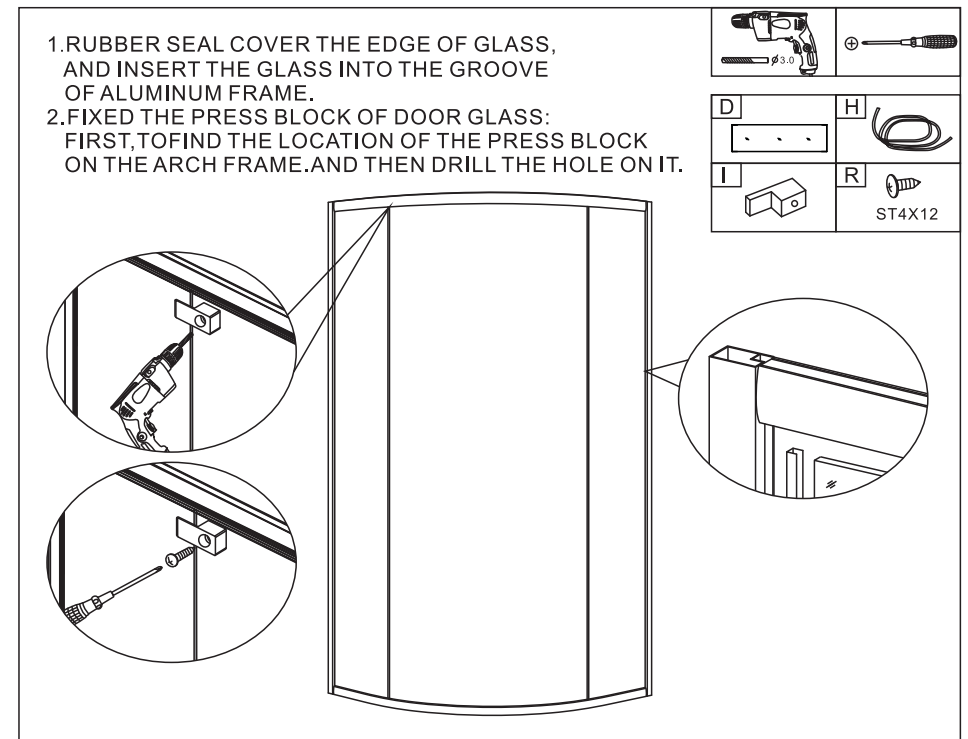
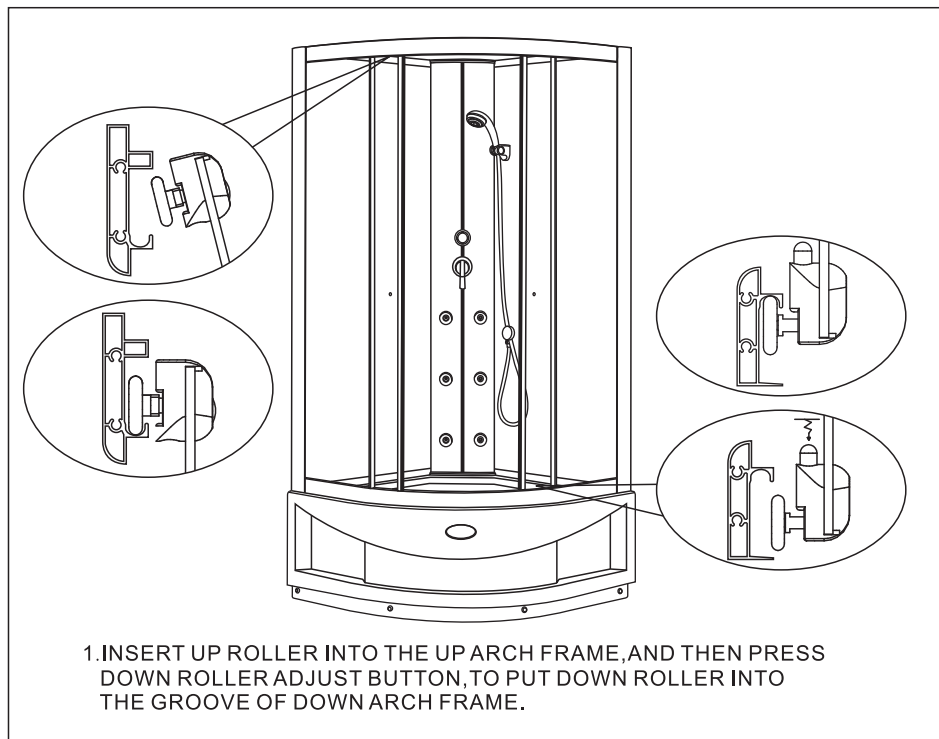
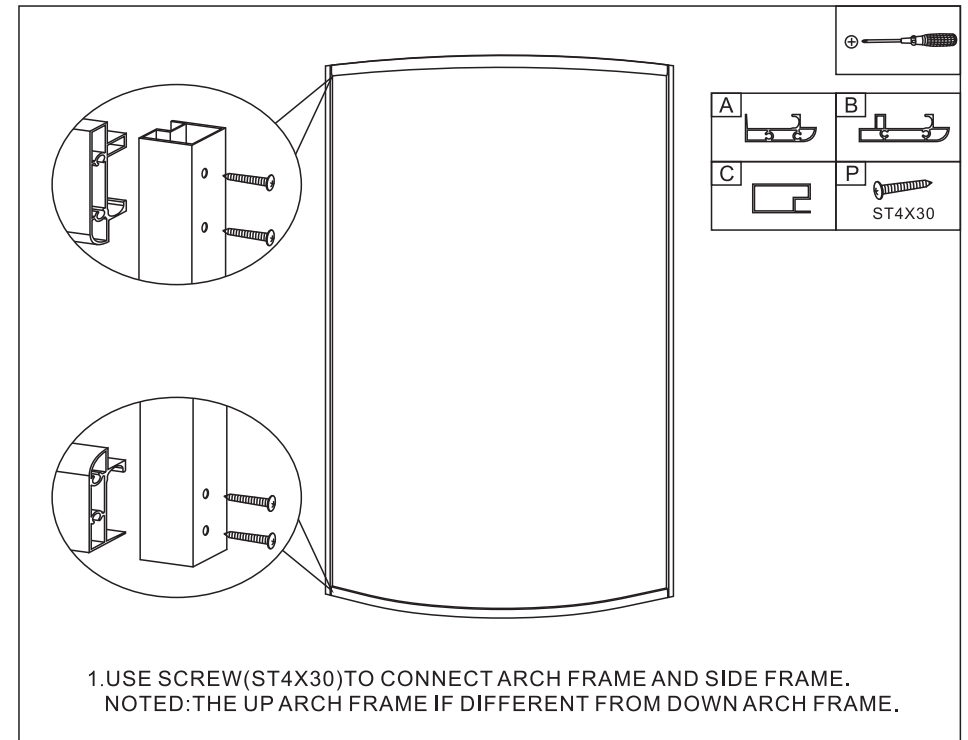
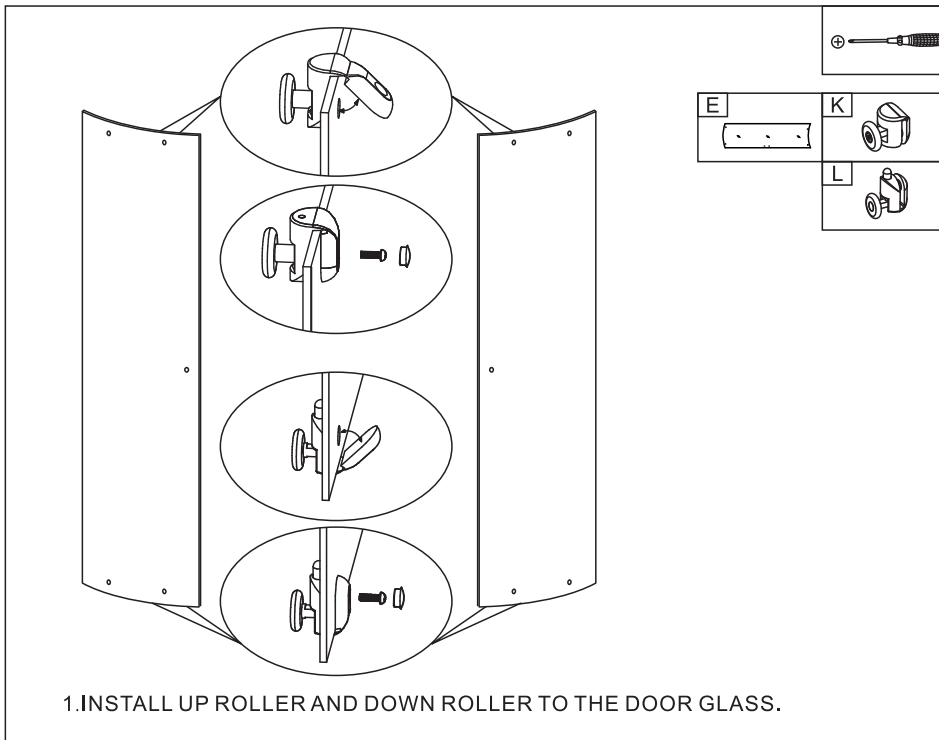


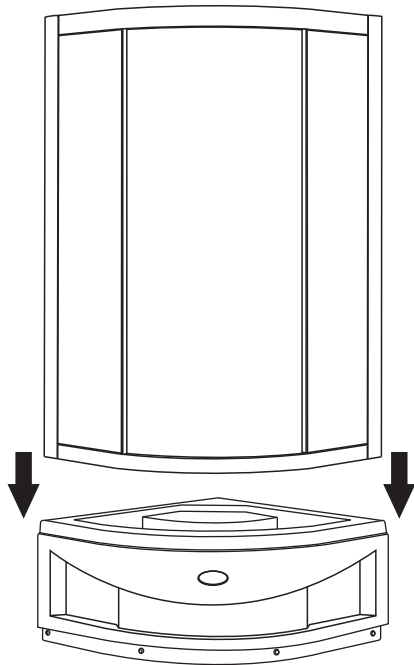
900X900X2100



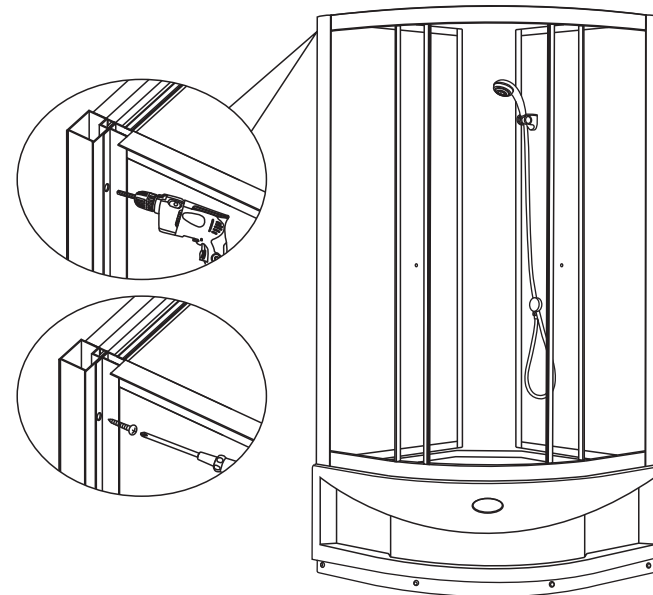
A		X1	H		X1	O		X1
B		X1	I		X4	P		X16
C		X2	J		X2	Q		X8
D		X2	K		X4	R		X4
E		X2	L		X4	S		X12
F		X1	M		X1			
G		X1	N		X2			



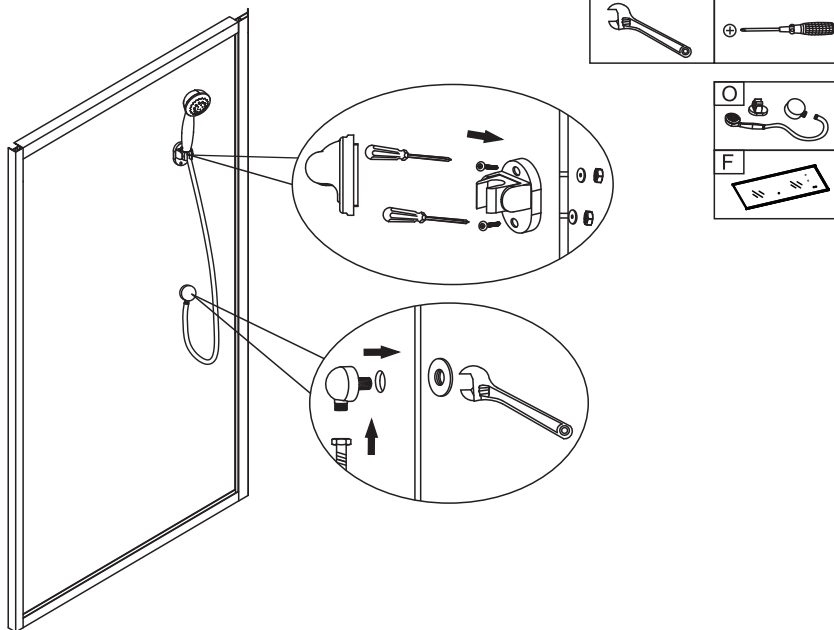




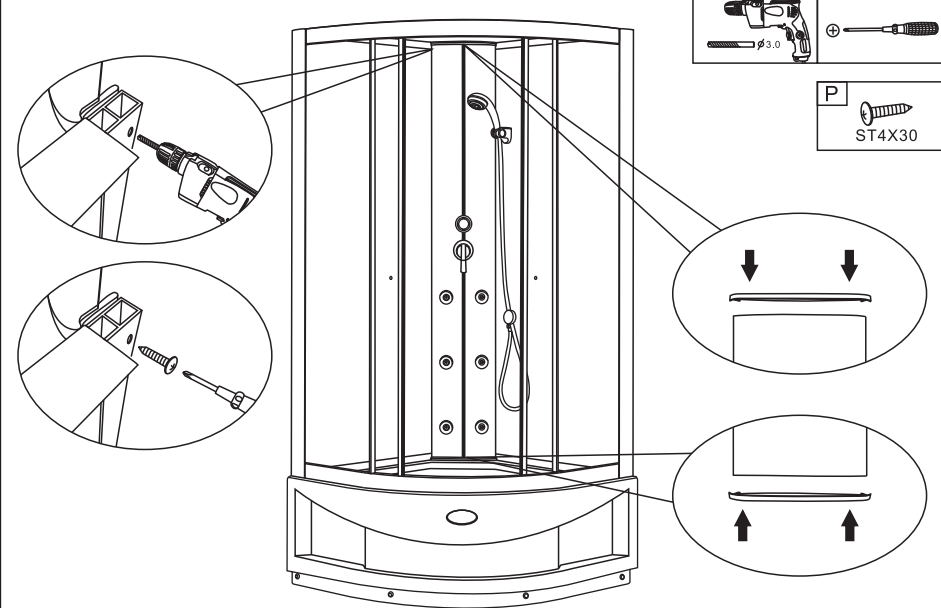
1. PUT THE INSTALLED GLASS SHOWER ONTO THE TRAY.



1. CONNECT THE FINISHED BACK WALL WITH FRONT GLASS STRUCTURE.



1. INSTALL HANDLE SHOWER CONNECT SCREW TO BLACK WALL AND FASTEN, AND THEN FIT THE FLEXIBLE PIPE WITH HANDLE SHOWER HEAD.



1. INSERT PLASTIC DECORATE STRIP INTO BACK PANEL BOTH ENDS.
2. CONNECT BACK PANEL WITH BACK WALL, FIRST DRILL HOLES ON BOTH ALUMINUM FRAME, AND THEN FASTEN THEM WITH SCREW (4X30).